

HDPE PIN INSULATOR

■ General

The insulators are made from a proprietary, track resistant and high density polyethylene. They are used in overhead distribution lines using bare or covered conductors.

JINWANG offers Tie Top type insulators with “C”, “F” and Customized Neck, which are available for applications on 1” or 1-3/8” pins and in voltage ratings of 15kV, 25kV and 35kV.

■ Benefits

The polyethylene surface is coupled with the multiple skirt design.

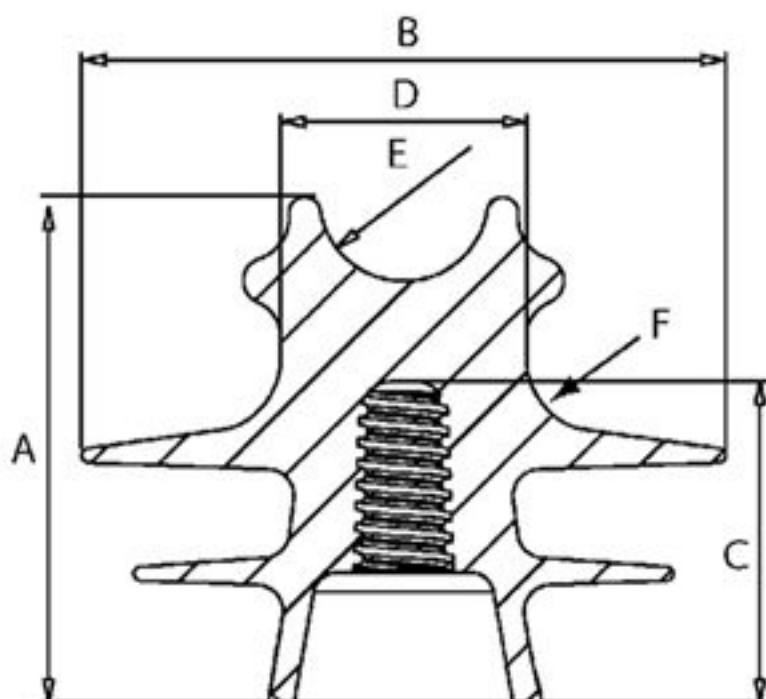
Long leakage distance provides superior moisture and contamination shedding properties.

UV Stabilized for long-term service.

High impact resistance – designed to reduce breakage

Light Weight and Low Maintenance

Higher leakage distance, flashover and impulse value.



Characteristics	HPI-55-3	HPI-55-3A	HPI-55-5	HPI-55-6	More will be adding
Rated Voltage, kV	15	25	25	35	
Dry Arc Distance, mm	150	160	195	260	
Leakage Distance, mm	250	365	420	600	
Pin Hole Diameter, mm	25.4	25.4	25.4	35	
Cantilever Strength, kN \geq	13.5	13.5	13.5	13.5	
Wet Power Freq. Voltage, kV	60	83	90	145	
Dry Power Freq. Voltage, kV	40	50	72	82	
Impulse Withstand Voltage, kV	105	135	155	240	
Dimensions, mm					
A	109	140	156	180	
B	144	136	156	170	
C	66	87	134	147	
D	57	57	78	68	
E	R19	R19	R25	R25.4	
F	R19	R19	R25	R28.6	

Note: OEM Drawings of HDPE Pin Insulators can be met.